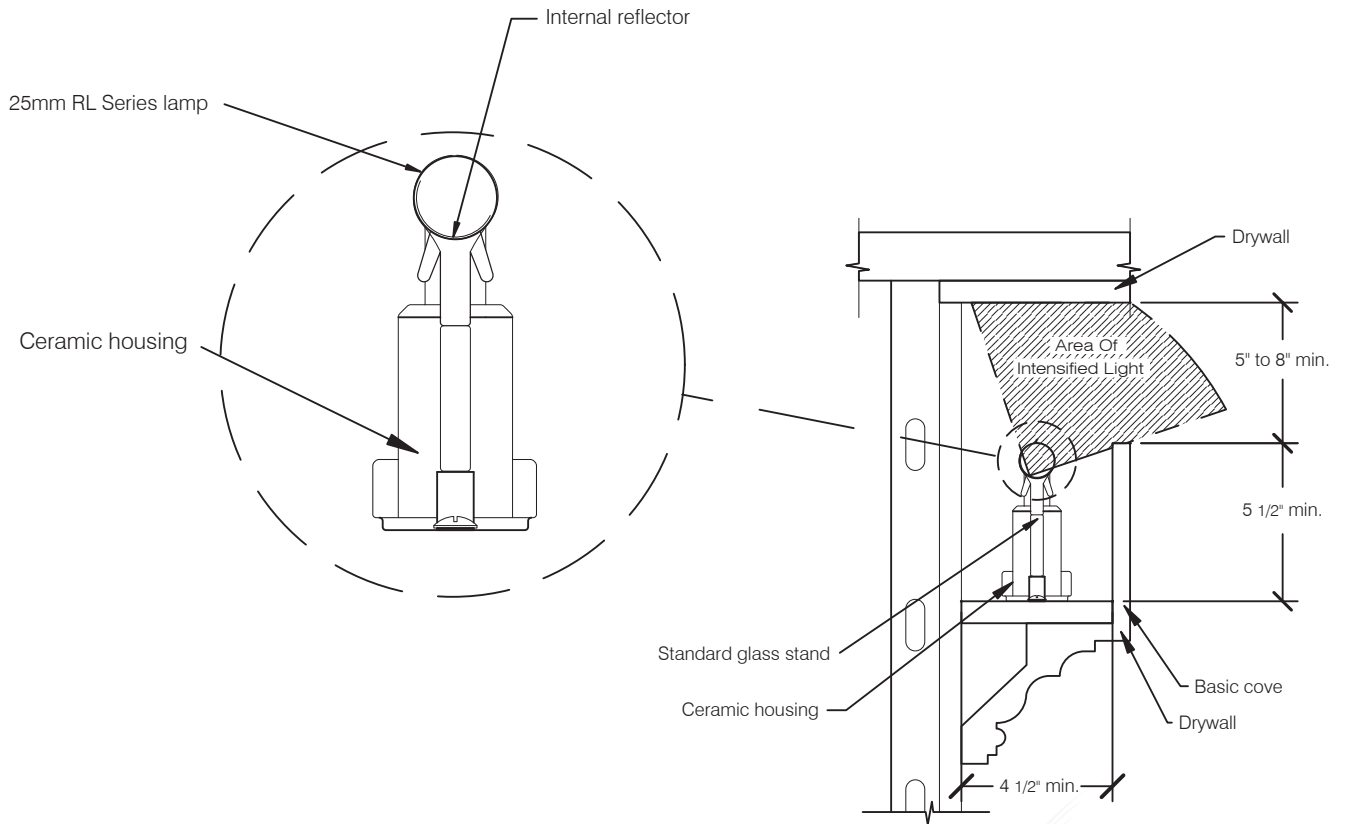


# RL-RA (Reflex Lighting - Right Angle)

## Cove Detail Diagram




Typical RL-RA Cove Detail

Scale: NONE

*The cove outline is for reference only.*

*The above cove dimensions are preferred for proper installation.*

Drawing No.: IFAY-RL-2	Project Name:  RL Series Over 1,000 Volts General Cove Detail	Drawn by: Cathy Rosas	Date: 1/13/05	 225 South Loara Street Anaheim, CA 92802
Drawing Rev.: C 1/15/05		Checked by: Pete Contreras	Date: 1/15/05	
		Approved by: John C. Ortiz	Date: 1/15/05	