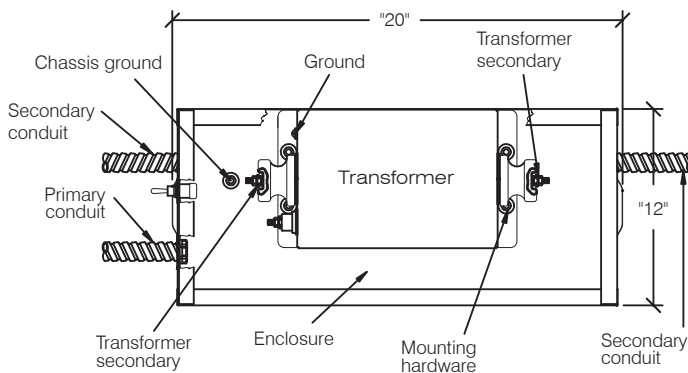


CL Series 120mA Wet Location Transformer

Allanson - CL Series 120mA/120V N.P.F. Table										
Reference Designator	Transformer Secondary Volts	Secondary mA	Primary V.A.	Input Amps 120v	Weight (Lbs.)	Transformer Overall Dimensions			Mounting Dimensions	
						L	W	H		
T511O	5000	120	600	5.00	37	13 5/8"	5 3/32"	5 7/8"	22"	12"
T711O	7500	120	900	7.50	40	13 5/8"	5 3/8"	6 1/8"	22"	12"
T911O	9000	120	1,080	9.00	52	13 5/8"	5 5/8"	7 7/8"	22"	12"

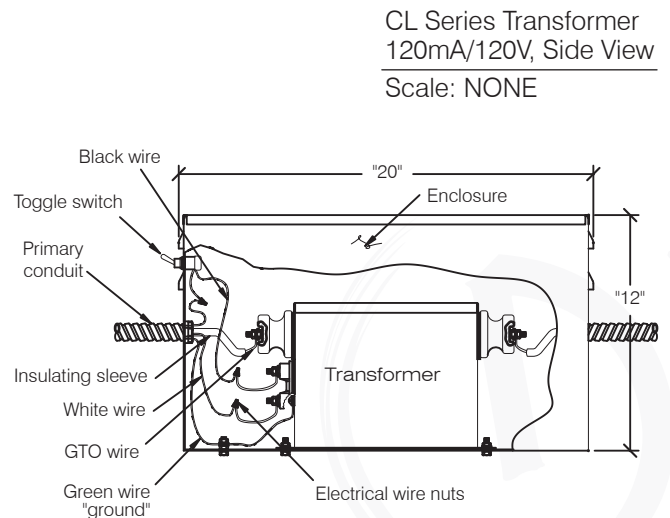
Transco - CL Series 120mA/120V N.P.F. Table										
Reference Designator	Transformer Secondary Volts	Secondary mA	Primary V.A.	Input Amps 120v	Weight (Lbs.)	Transformer Overall Dimensions			Mounting Dimensions	
						L	W	H		
T511O	5000	120	600	5.20	38	11 1/8"	5 3/8"	6 1/8"	22"	12"
T711O	7500	120	900	7.80	42	11 1/8"	5 3/8"	6 1/8"	22"	12"
T911O	9000	120	1,080	9.40	46	11 1/8"	5 3/8"	6 1/8"	22"	12"

Lighting Components - CL Series 120mA/120V N.P.F. Table										
Reference Designator	Transformer Secondary Volts	Secondary mA	Primary V.A.	Input Amps 120v	Weight (Lbs.)	Transformer Overall Dimensions			Mounting Dimensions	
						L	W	H		
T511O	5000	120	600	1.40	16	13 3/8"	4"	5 3/8"	22"	12"
T711O	7500	120	900	2.10	17	13 3/8"	4"	5 3/8"	22"	12"
T911O	9000	120	300	2.50	17	13 3/8"	4"	5 3/8"	22"	12"



CL Series Transformer
120mA/120V, Top View


Scale: NONE



CL Series Transformer
120mA/120V, Side View

Scale: NONE

Note: This style of transformers is for wet locations only

Drawing No.: IFAY-CL-7	Project Name: CL Series 120mA Wet Location Transformer	Drawn by: Cathy Rosas	Date: 1/13/05	 225 South Loara Street Anaheim, CA 92802
Drawing Rev.: C 1/15/05		Checked by: Pete Contreras	Date: 1/15/05	
		Approved by: John C. Ortiz	Date: 1/15/05	