

# NL Series 30mA Wet Location Transformer

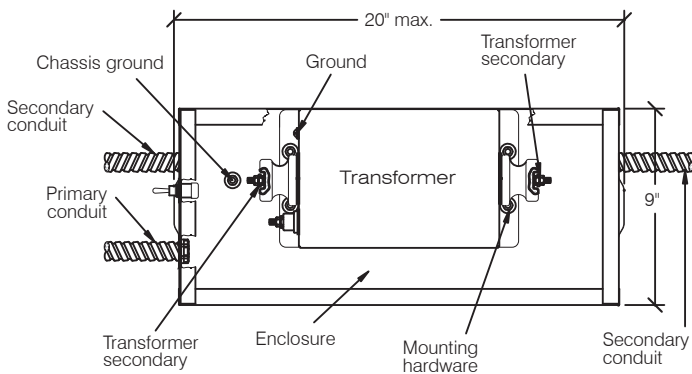
Actown - 30mA/120V N.P.F. Table										
Reference Designator	Transformer Secondary Volts	Secondary mA	Primary V.A.	Input Amps 120v	Weight (Lbs.)	Transformer Overall Dimensions			Transformer Enclosure Dimension	
						L	W	H		
T5310	5000	30	150	1.30	10	7 1/4"	3 7/8"	3 3/8"	22"	12"
T7310	7500	30	220	2.00	13.5	7 1/4"	3 11/16"	5 3/32"	22"	12"
T9310	9000	30	270	2.04	14.5	7 1/4"	3 11/16"	5 3/32"	22"	12"
T12310	12000	30	360	3.20	26	10"	4 1/4"	5 3/4"	22"	12"

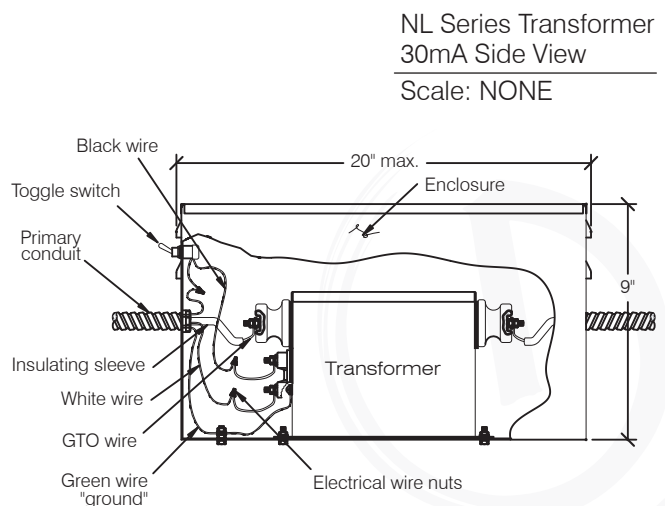
Transco - 30mA/120V N.P.F. Table										
Reference Designator	Transformer Secondary Volts	Secondary mA	Primary V.A.	Input Amps 120v	Weight (Lbs.)	Transformer Overall Dimensions			Transformer Enclosure Dimension	
						L	W	H		
T5310	5000	30	150	1.20	16	8 5/16"	3 15/16"	6 1/2"	22"	12"
T7310	7500	30	220	1.70	16	9 7/8"	3 5/8"	3 7/8"	22"	12"
T9310	9000	30	270	2.16	16	9 7/8"	3 5/8"	3 7/8"	22"	12"
T12310	12000	30	360	2.80	26	10 7/8"	4 3/8"	8 1/4"	22"	12"

France - 30mA/120V N.P.F. Table										
Reference Designator	Transformer Secondary Volts	Secondary mA	Primary V.A.	Input Amps 120v	Weight (Lbs.)	Transformer Overall Dimensions			Transformer Enclosure Dimension	
						L	W	H		
T5310	5000	30	168	1.40	13	10"	3 3/4"	4 7/16"	22"	12"
T7310	7500	30	252	2.10	14	10"	3 3/4"	4 7/16"	22"	12"
T9310	9000	30	300	2.50	14	10"	3 3/4"	4 7/16"	22"	12"
T12310	12000	30	408	3.40	23	11 1/4"	4 3/16"	6 1/2"	22"	12"




NL Series Transformer  
30mA Top View  
Scale: NONE



NL Series Transformer  
30mA Side View  
Scale: NONE

Note: This style of transformers is for wet locations only

Drawing No.: IFAY-NL-4	Project Name:  NL Series (UZBL) 30mA Wet Location Transformer	Drawn by: Cathy Rosas	Date: 1/13/05	 225 South Loara Street Anaheim, CA 92802
Drawing Rev.: C 1/15/05		Checked by: Pete Contreras	Date: 1/15/05	
		Approved by: John C. Ortiz	Date: 1/15/05	